

# GB116RN

## 20V BATTERY INSTALLATION TOOL



GB116RN SERIES	
GB116RN	Includes (1) VP1086 (2Ah Battery)
GB116RN/2	Includes (2) VP1086 (2Ah Batteries)

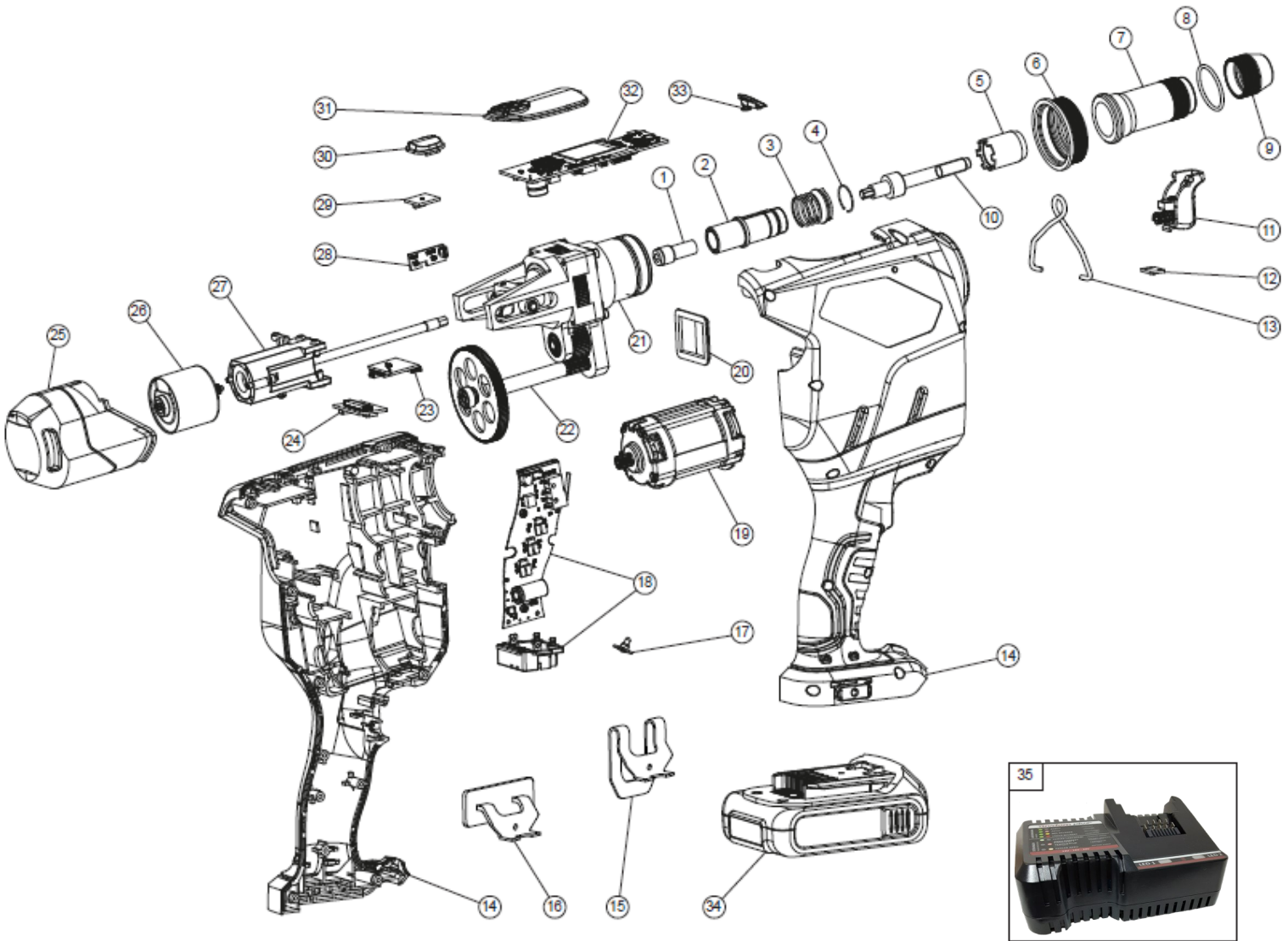
GAGE BILT TOOLS ARE AVAILABLE WORLDWIDE  
E-MAIL US FOR A DISTRIBUTOR NEAR YOU.

Registered to  
ISO 9001:2015

**GAGE BILT**  
 **MADE in USA**

44766 Centre Court, Clinton Twp., MI. 48038 USA  
Ph: +1 (586) 226-1500 Fax: +1 (586) 226-1505  
solutions1@gagebilt.com / www.gagebilt.com

# GB116RN PARTS LIST



REF NO.	PART NO.	DESCRIPTION	QTY.	REF NO.	PART NO.	DESCRIPTION	QTY.
1	VP1518	PULL SPINDLE ADAPTER	1	14	VP1529	TOOL HOUSING (L+R)	1
2	VP1519	SPACER	1	15	VP1322	BELT CLIP	1
3	VP1520	QUICK RELEASE + SPRING	1	16	VP1323	NAME PLATE	1
4	VP1521	QUICK RELEASE C-RING	1	17	VP1532	LED	1
5	VP1522	CLAMPING SLEEVE	1	18	VP1533	POWER PCBA	1
6	VP1523	UNION RING	1	19	VP1534	STROKE MOTOR	1
7	VP1524	FRONT SLEEVE WITH O-RING	1	20	VP1535	COVER SCANNER	1
8	VP1525	O-RING	1	21	VP1536	MAIN GEAR BOX	1
9a*	VP1501	NOSEPIECE M3	1	22	VP1537	GEAR SHAFT SET	1
9b	VP1502	NOSEPIECE M4	1	23	VP1538	SPINDLE HALL PCBA	1
9c	VP1503	NOSEPIECE M5	1	24	VP1539	FLEX CABLE ADAPTER	1
9d	VP1504	NOSEPIECE M6	1	25	VP1540	SPINDLE MOTOR COVER	1
9e	VP1505	NOSEPIECE M8	1	26	VP1541	ASM SPINDLE MOTOR	1
9f	VP1506	NOSEPIECE M10	1	27	VP1542	SPINDLE GEAR ASSEMBLY	1
9g*	VP1508	NOSEPIECE M12	1	28	VP1543	STROKE HALL PCBA	1
10a*	VP1602	THREADED MANDREL M3	1	29	VP1544	RGB LED PCBA	1
10b	VP1603	THREADED MANDREL M4	1	30	VP1545	COVER TOP LED	1
10c	VP1604	THREADED MANDREL M5	1	31	VP1546	ASM DISPLAY	1
10d	VP1605	THREADED MANDREL M6	1	32	VP1547	CONTROL PCBA WITH SOFTWARE	1
10e	VP1606	THREADED MANDREL M8	1	33	VP1548	SD SLOT COVER	1
10f	VP1607	THREADED MANDREL M10	1	34	VP1086	Li-Ion BATTERY 20V / 2.0 Ah	1
10g*	VP1608	THREADED MANDREL M12	1	NO FIG*	VP1357	Li-Ion BATTERY 20V / 4.0 Ah	1
11	VP1526	ASM TRIGGER	1	35	VP1087	UNIVERSAL QUICK CHARGER 110V	1
12	VP1527	HALL SENSOR	1	NO FIG	VP1549	MICRO SDHD CARD	1
13	VP1470	HANGER	1	NO FIG	VP1550	SDHD READER	1

\* Sold Separately